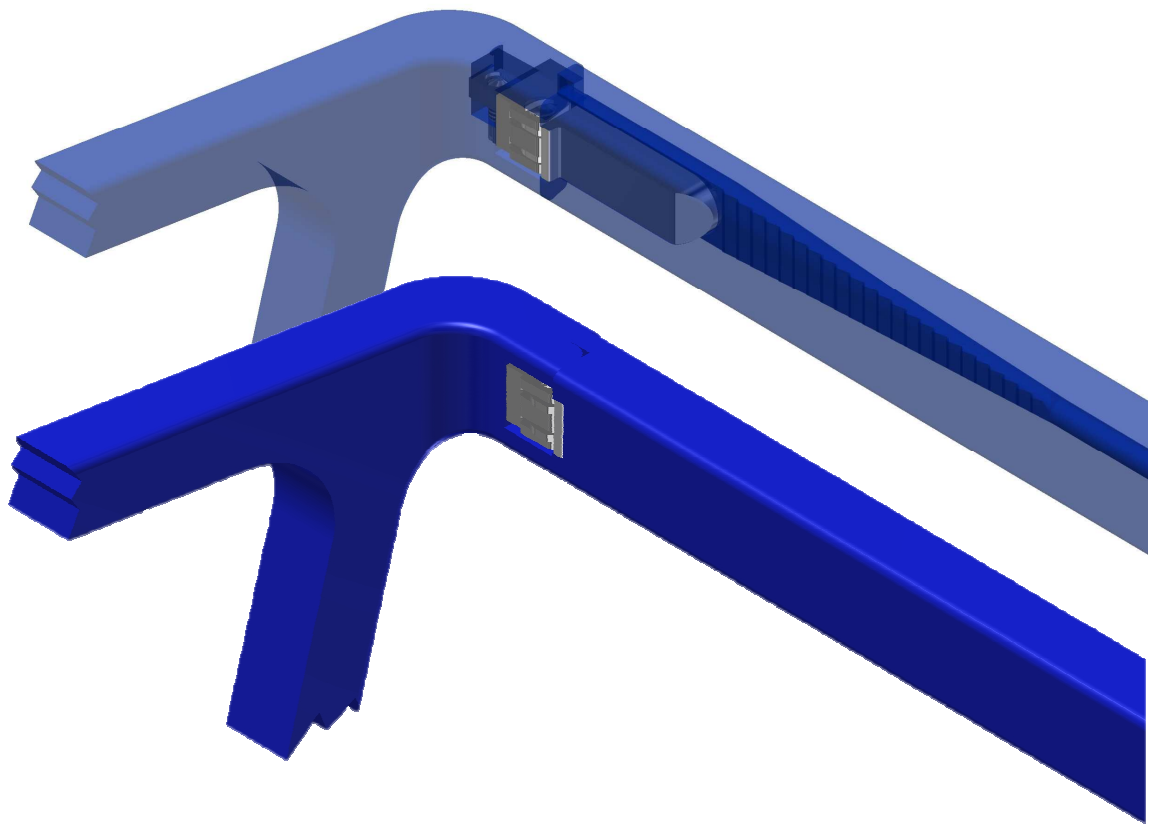


Caché

WITH FLEXUNO



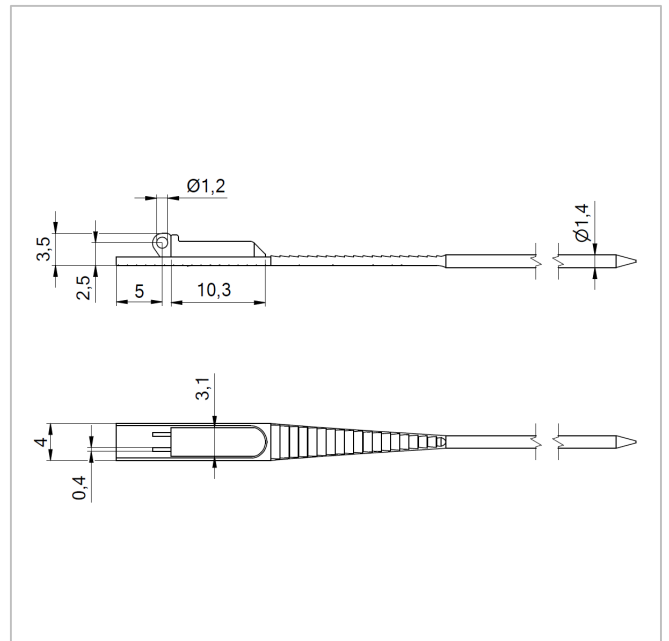
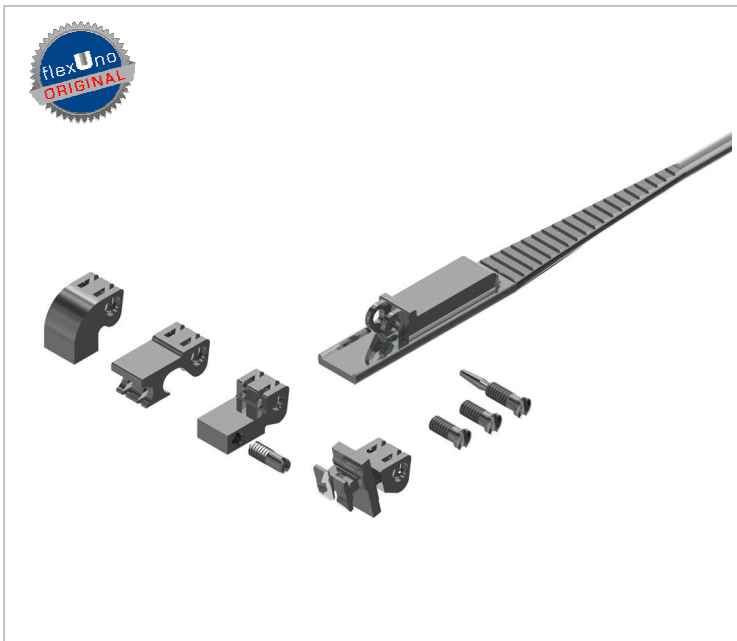
HIDDEN SPRING HINGES

Caché

WITH FLEXUNO

73-07050

- Total hidden spring hinge on wire for full acetate frames
- Special designed wire in nickel silver with soldered low case
- Easy standard shooting processing possible
- Zero rocking with pre-assembled flexUno mechanism made from stainless steel
- Exchangeable mechanism in case of damage
- 90° or 180° front hinge for inserting
- Full hidden look with block front hinge to be assembled with screw
- 75% of recycled nickel silver chips are used in the production of new cases



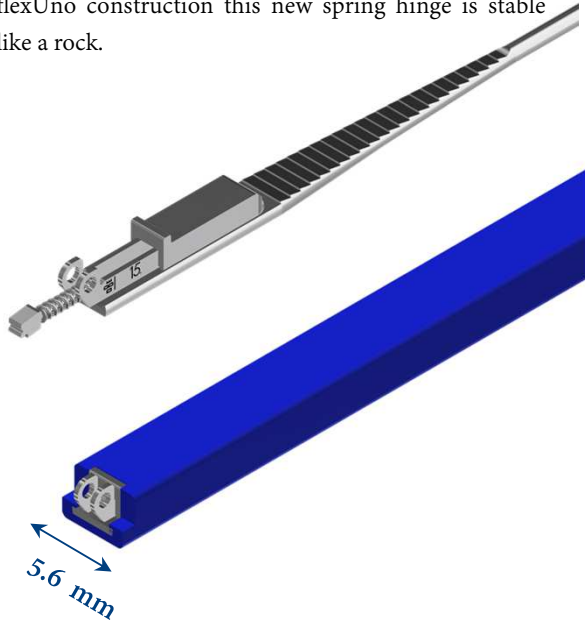
Matching parts

Front hinges	Art. No.	Hinge fixation	Fixation to front
Front hinges for plastic frames 90°	33-04027	99-02030	inserting
Front hinges for plastic frames 180°	33-04028	99-02032 self aligning	inserting
Step hinges	52-07050	99-02027.800 self aligning for break off	soldering
Three barrel block hinges	32-04077	99-02028	screwing with 99-01752

Caché

WITH FLEXUNO

Caché is strong... Thanks to the brand new mechanism made from stainless steel and based on the successful flexUno construction this new spring hinge is stable like a rock.



Caché is highly performant... Thanks to the small metal support – a kind of recognition part for this spring hinge – the flex functionality is perfect as the contact with the plastic during the hinge movement is avoided.



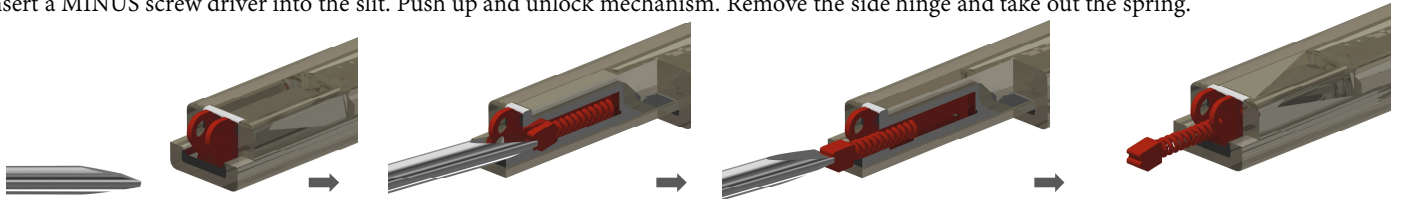
Caché is slim... Thanks to the slim construction a minimal temple width including the plastic material can be achieved. The minimum temple width with plastic is in fact only 5.6 mm.

Caché is invisible... Thanks to the low construction the spring hinge can be completely covered in 3.8 mm acetate sheets. Everything is new in this hinge – the case – the mechanism – the spring. But none of these metal elements are visible on a frame!

Replacement of mechanism

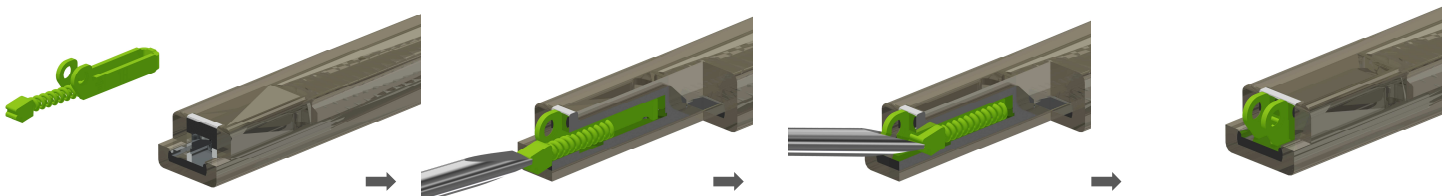
DISASSEMBLING:

Insert a MINUS screw driver into the slit. Push up and unlock mechanism. Remove the side hinge and take out the spring.



RE-ASSEMBLING:

Take new mechanism. Insert locking device with slit down. Push the mechanism with Minus screw driver until it clicks. Only after clicking the mechanism is inserted!





OBE GmbH & Co. KG · Turnstr. 22 · 75228 Ispringen · Germany
Tel. +49 7231 802-0 · www.obe.de · info@obe.de