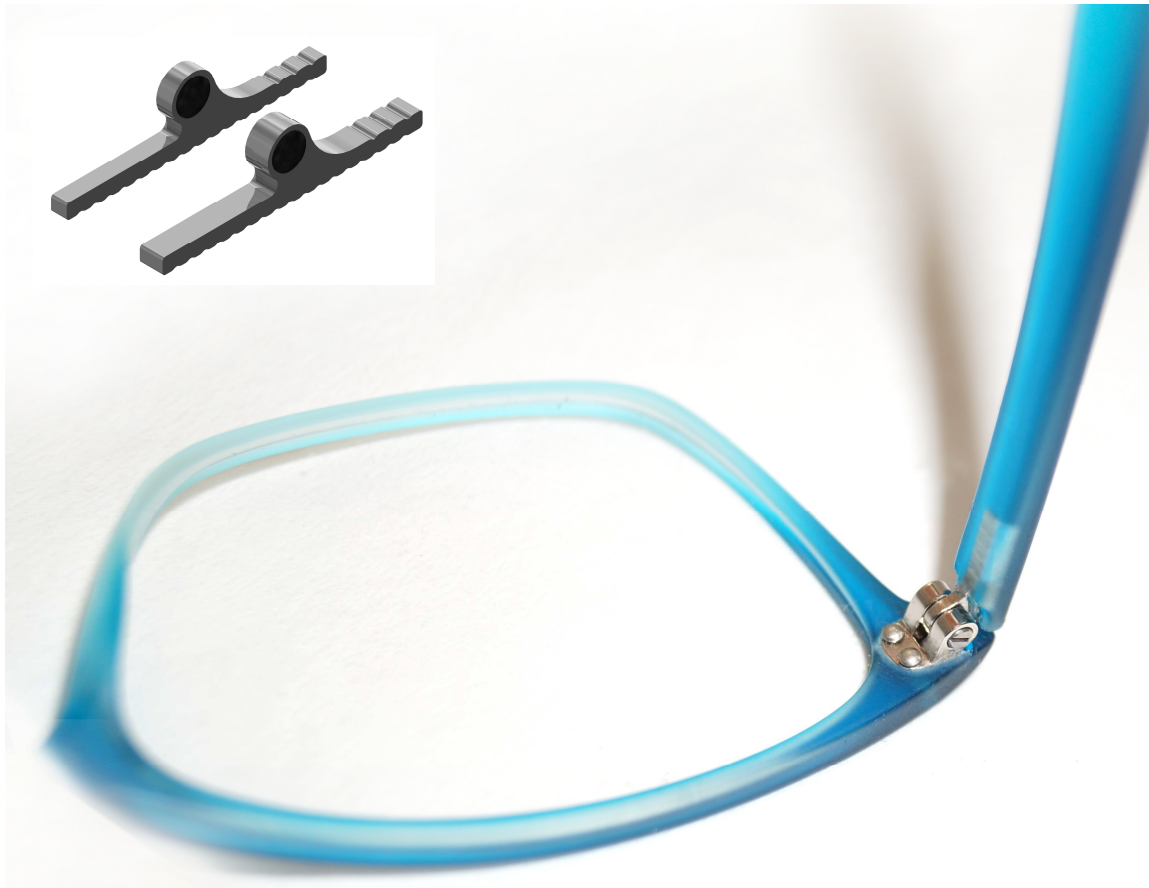


# Inject-it!

SMOOTH MOVEMENT



Regular hinges

# Inject-it!

## SMOOTH MOVEMENT

- Hinge & short wire made from nickel silver
- For injection frames
- Stable one-piece construction

70-02110

- 1.2 mm wide

Space Screws

99-05324.600  
99-02324.600

70-02111

- 1.2 mm wide

Standard Screws

99-01375

70-02116

- 1.6 mm wide

Space Screws

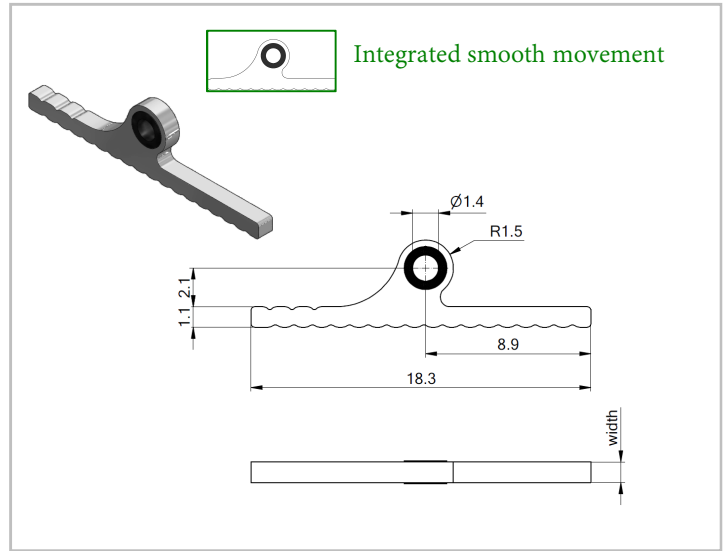
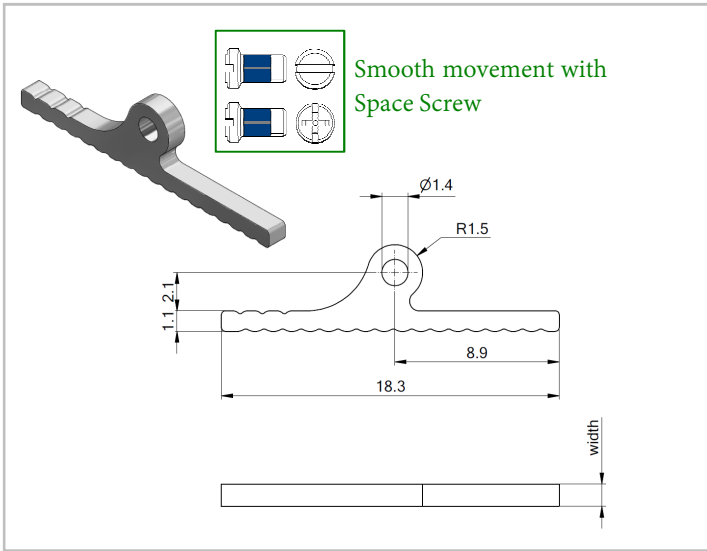
99-05327.600  
99-02327.600

70-02117

- 1.6 mm wide

Standard Screws

99-01377



### Matching parts:

	Drawing	Width 1.2 mm		Width 1.6 mm	
		Art. No.	Size	Art. No.	Size
Front hinges 90° for inserting		33-02111	3.0 mm wide	33-02117	4.0 mm wide
Front hinges 90° for screwing		33-02112	3.0 mm wide	33-02118	4.0 mm wide
Front hinges 180° for inserting		33-02110	3.0 mm wide	33-02116	4.0 mm wide
Rivet hinges		51-02113	3.0 mm wide	51-02129	4.0 mm wide
Step hinges		52-02111	3.0 mm wide	52-02116	4.0 mm wide
Rivets		11-20247	8.0 mm long	11-20247	8.0 mm long
		11-20251	5.4 mm long	11-20251	5.4 mm long
		11-20245	4.2 mm long	11-20245	4.2 mm long
		11-20246	3.0 mm long	11-20246	3.0 mm long

