

# PS-Flex

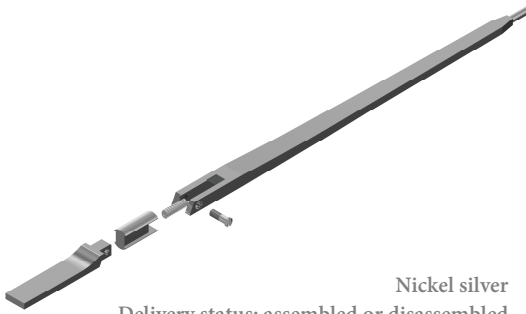


MECHANISMS & TEMPLES

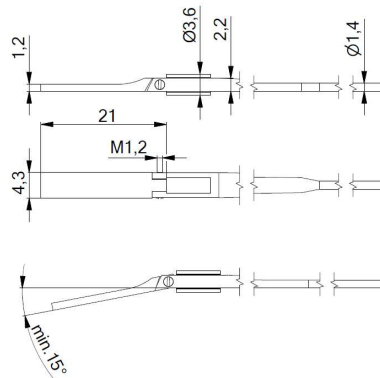
# PS-Flex

- Plain & Simple spring hinge concept in nickel silver
- 20° opening angle
- Optionally 180° opening angle on request

## PS-Flex temple - Nickel silver – 60-01074 Metal temple version

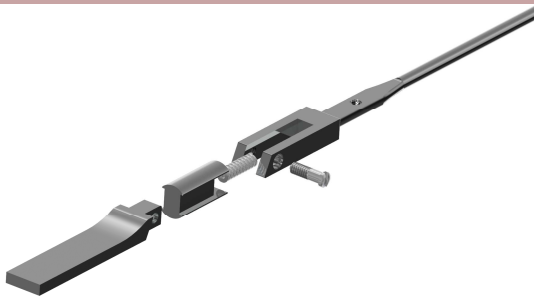


Nickel silver  
Delivery status: assembled or disassembled

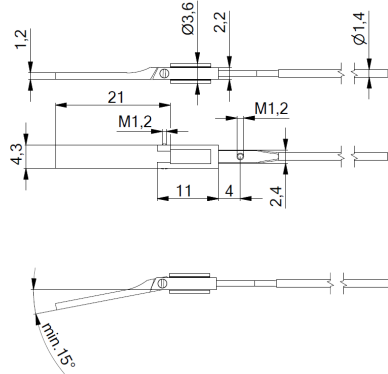


Temple	68-01074
Sleeve	11-01071
Spring	97-00053
One piece end piece	52-01072
Hinge screws	99-02023

## PS-Flex with wire – 60-01072 Long temple tip version

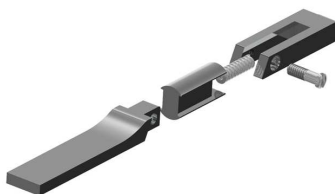


Nickel silver  
Delivery status: assembled or disassembled

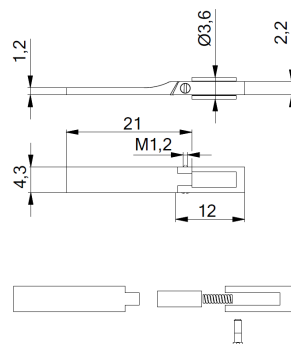


Case with soldered wire	68-01072
Sleeve	11-01071
Spring	97-00053
One piece end piece	52-01072
Hinge screws	99-02023
Fixing screws for temple tips	99-02015 99-01751

## PS-Flex loose – 60-01073 Loose version



Nickel silver  
Delivery status: disassembled



Case	17-01073
Sleeve	11-01071
Spring	97-00053
One piece end piece	52-01072
Hinge screws	99-02023

## PS 180 ° opening angle On request

