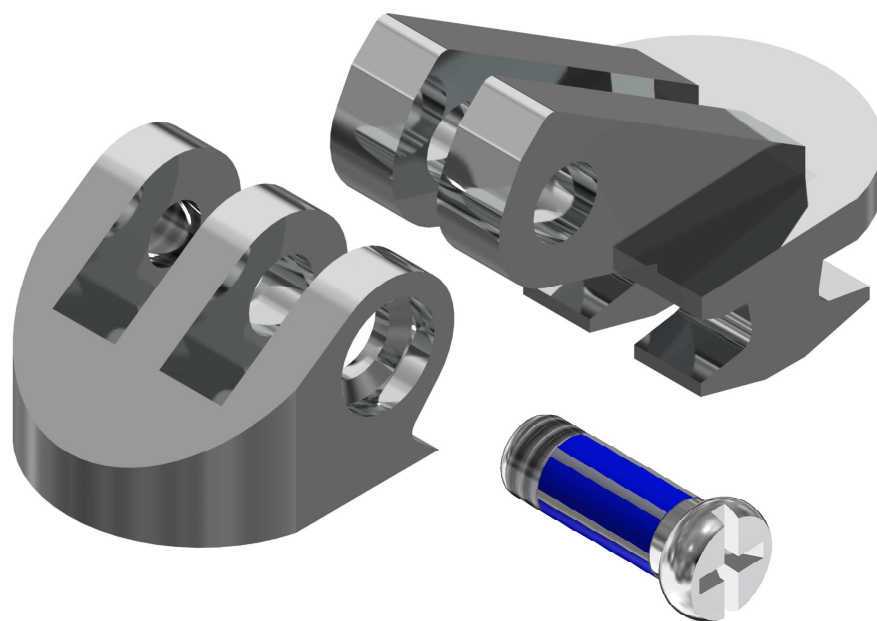


# Safety plastic

HINGES

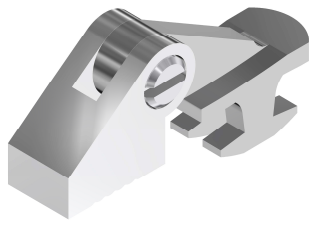
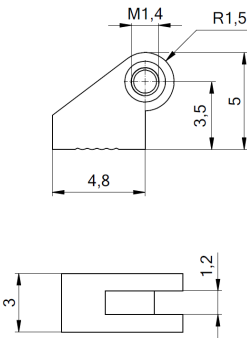
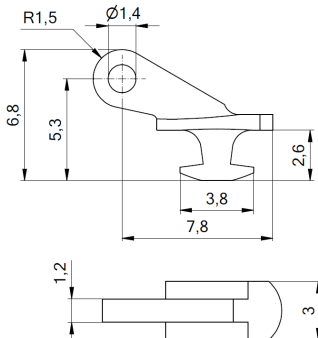
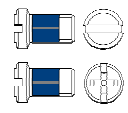
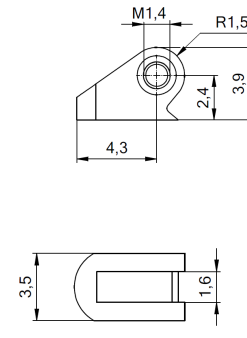
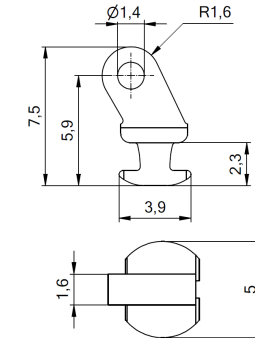
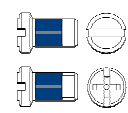
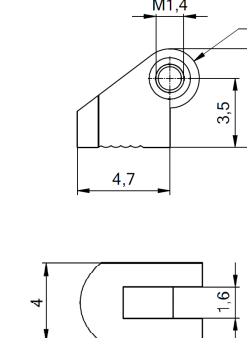
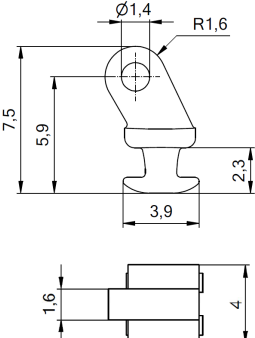
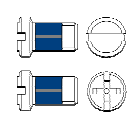
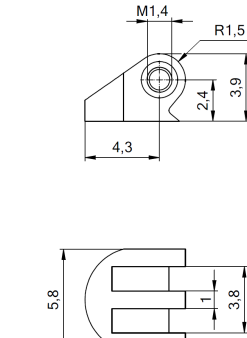
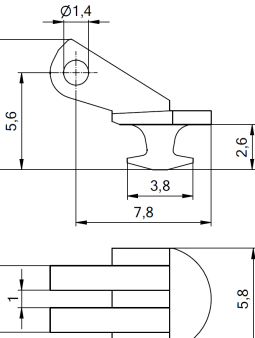
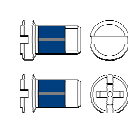


Regular hinges

# Safety plastic


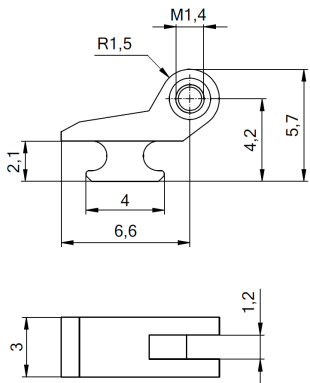
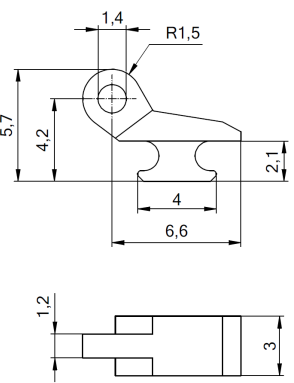
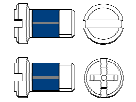
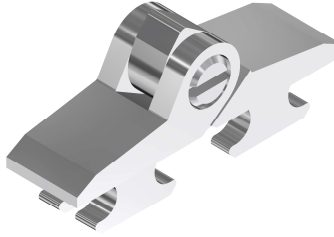
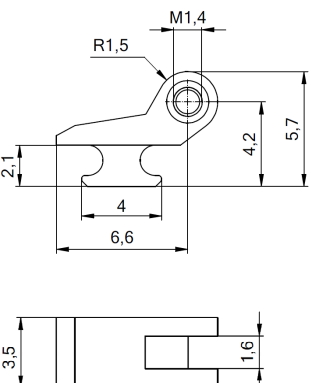
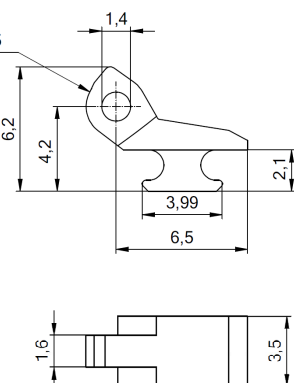
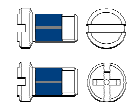
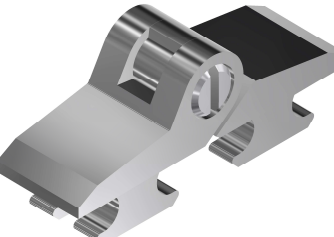
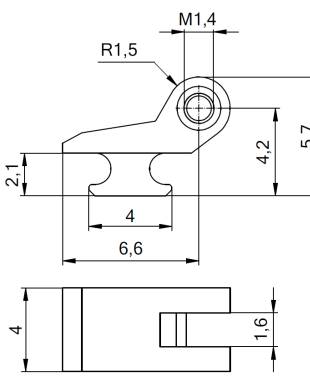
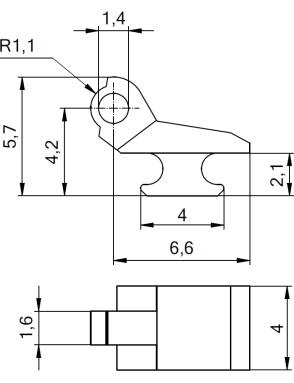
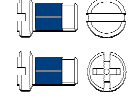
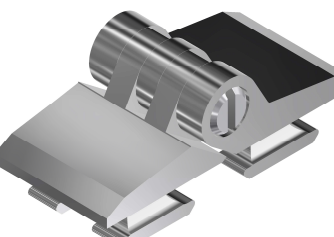
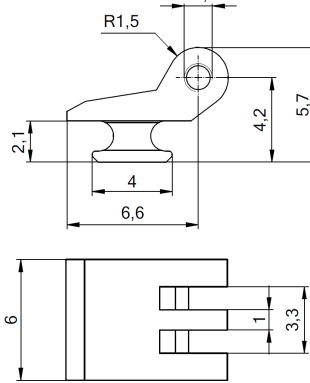
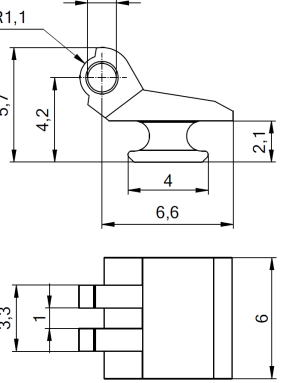
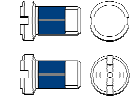
## HINGES

OBE offers in this hinge generation a variety of products for full plastic and combination frames. All these hinges made from nickel silver are equipped with Space Screws, which provide an optimised hinge articulation. The risk of floppy temples is eliminated thanks to the slowdown effect of the safety screw. The hinges are delivered loose with the corresponding Space Screws separately.

			Width	Slit			Screw
 <p>with stop function at 80°</p>	3.0mm	1.2mm	<b>42-04300</b> 	<b>33-04300</b> 	<b>Space Screws</b>  99-05324.600 99-02324.600		
	3.5mm	1.6mm	<b>42-04301</b> 	<b>33-04301</b> 	<b>Space Screws</b>  99-05325.600 99-02325.600		
	4.0mm	1.6mm	<b>42-04302</b> 	<b>33-04302</b> 	<b>Space Screws</b>  99-05327.600 99-02327.600		
	5.8mm	2x 1.4mm	<b>42-04303</b> 	<b>33-04303</b> 	<b>Space Screws</b>  99-05332.600 99-02332.600		

# Safety plastic

## HINGES

	Width	Slit			Screw
	3.0mm	1.2mm	<b>33-04305</b> 	<b>33-04304</b> 	<b>Space Screws</b>  99-05324.600 99-02324.600
	3.5mm	1.6mm	<b>33-04307</b> 	<b>33-04306</b> 	<b>Space Screws</b>  99-05325.600 99-02325.600
<b>with stop function at 80°</b>					
	4.0mm	1.6mm	<b>33-04309</b> 	<b>33-04308</b> 	<b>Space Screws</b>  99-05327.600 99-02327.600
<b>with stop function at 90°</b>					
	6.0mm	2x 1.1mm	<b>33-05142</b> 	<b>33-05143</b> 	<b>Space Screws</b>  99-05332.600 99-02332.600
<b>with stop function at 90°</b>					



OBE GmbH & Co. KG · Turnstr. 22 · 75228 Ispringen · Germany  
Tel. +49 7231 802-0 · Fax +49 7231 802-156 · [www.obe.de](http://www.obe.de) · [info@obe.de](mailto:info@obe.de)