

Spike

WITH FLEXUNO



HIDDEN SPRING HINGES

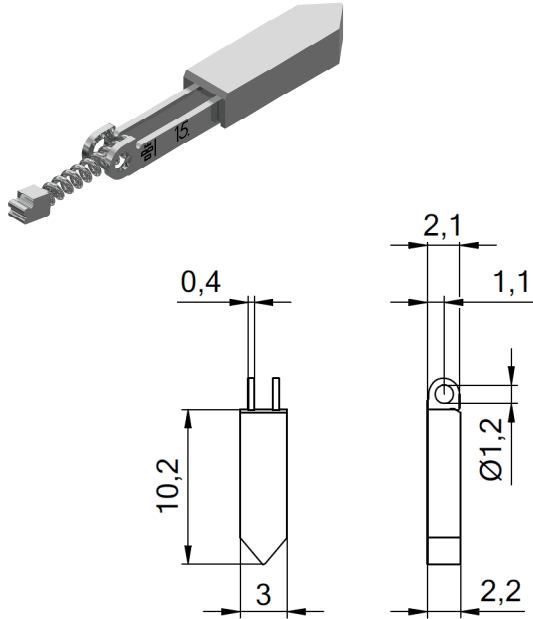
Spike

WITH FLEXUNO

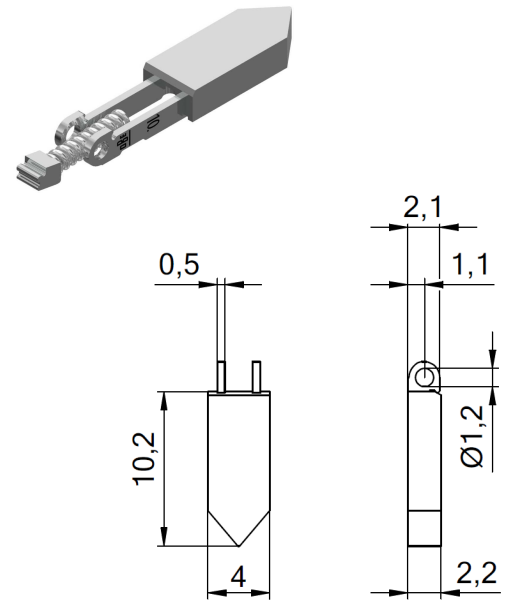
- Arrow designed Wafer
- Low construction
- Equipped with exchangeable flexUno antirocking system
- Top of the case can be used as a design element for logos or patterns
- 75% of recycled nickel silver chips are used in the production of new cases



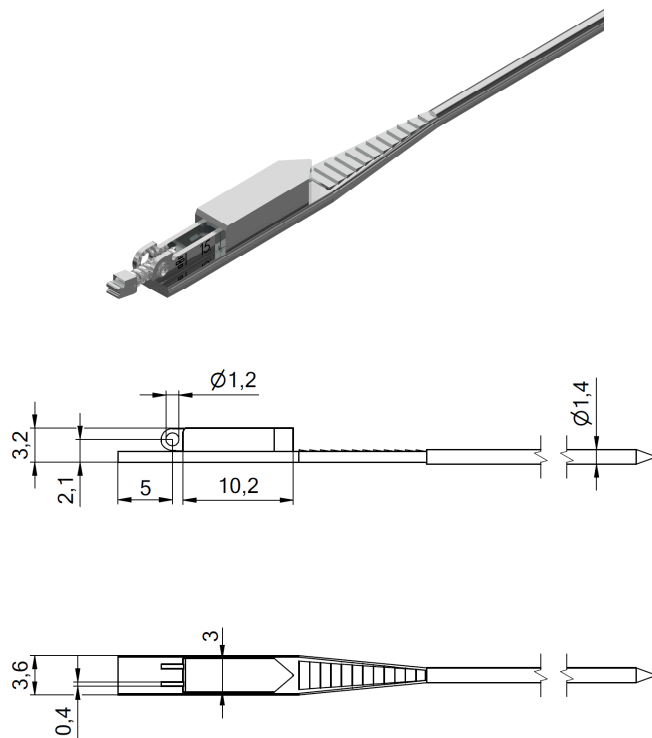
60-04053.050 - loose version 3.0 mm - for soldering



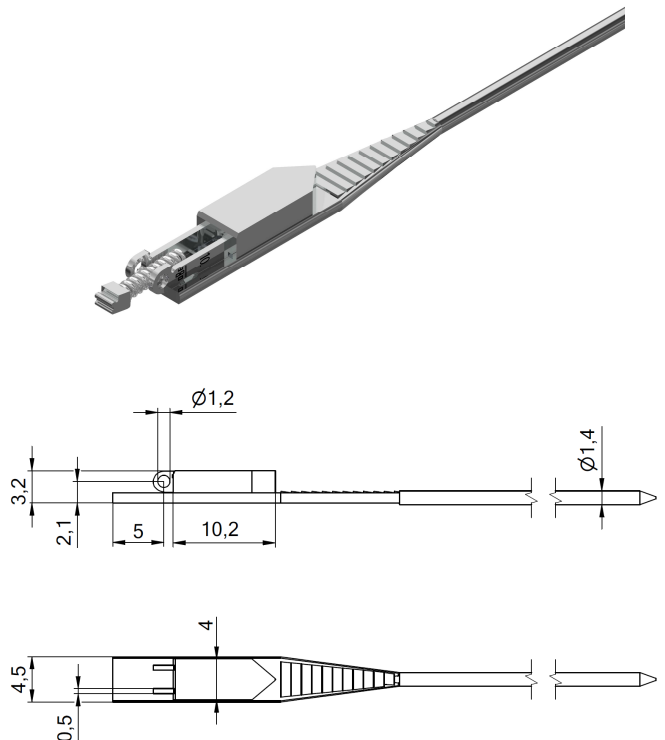
60-04066.050 - loose version 4.0 mm - for soldering



73-04053.55X - wire version 3.0 mm - soldered



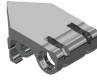






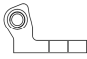
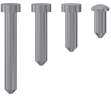

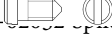

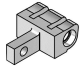
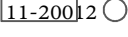
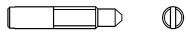
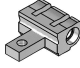

73-04066.75X - wire version 4.0 mm - soldered



Spike

WITH FLEXUNO

Matching parts

Front hinges		for Spike 3.0	for Spike 4.0	Hinge screws	Fixation to front
Spike front hinge		33-04253.050	33-04166.050	Screw	Inserting
Front hinges for plastic frames 90°		33-04153 33-04025 off center 33-04353 off center	33-04066 33-04266 off center	99-02027 Spike 3.0 99-02036 Spike 4.0 	Inserting
Front hinges for plastic frames 180° 0°/ 6° inclination		33-04253	33-04166	99-01732 Spike 4.0 	Inserting
Step hinges		52-04153 52-04154	52-04166	99-02027.800 Spike 3.0 99-02036.800 Spike 4.0 	Soldering
Rivet hinges		-	51-05066	Self aligning for break off	riveting with 11-20247  11-20251 11-20245 11-20246
Front hinges for soldering		52-04053	52-04276	99-01732 Spike 3.0 	Soldering
Front hinges for welding		52-04253	-	self aligning	Welding
Three barrel block hinges		32-04062	-	Pin 	screwing with 
		32-04061	-		screwing with  1753





OBE GmbH & Co. KG · Turnstr. 22 · 75228 Ispringen · Germany
Tel. +49 7231 802-0 · www.obe.de · info@obe.de