

DUNE

SPRING HINGE TEMPLES



MECHANISMS & TEMPLES

DUNE

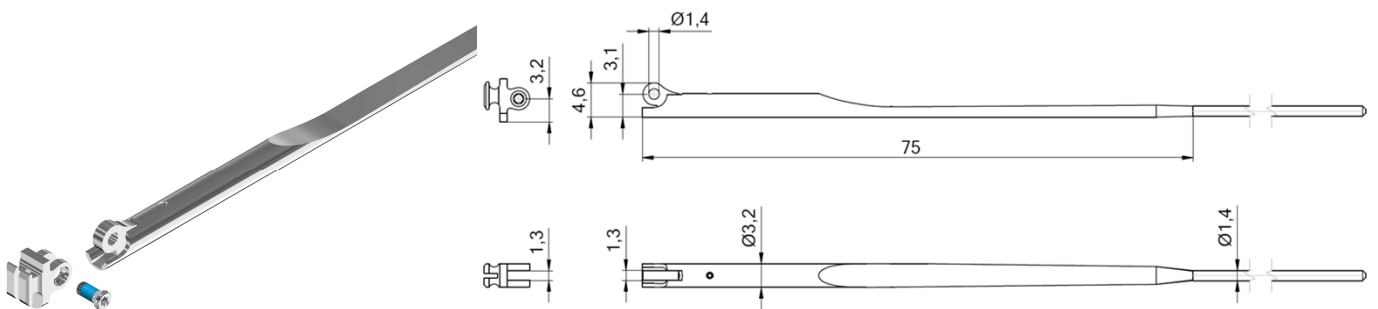
SPRING HINGE TEMPLES

60-07056

- Round flex temple with integrated chute design
- Made in copper nickel with nickel plated surface
- Diameter 3.2 mm
- Smooth flex action
- Safe movement with Space Screw

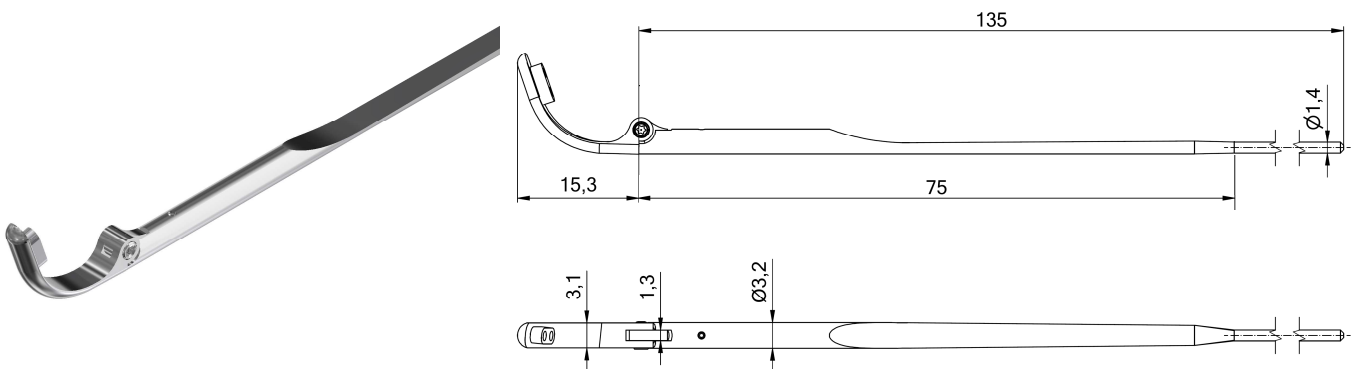
60-07056.30X

For combination frames: with front hinge for insertion 33-09039 and Space Screw 99-04324.600



60-07056.29X.01/02

Ready to use with assembled end piece for screwing to front



60-07056.205.01/02

For metal frames: with monoblock 67-07057.100.11/12 and Space Screw 99-04324.600

